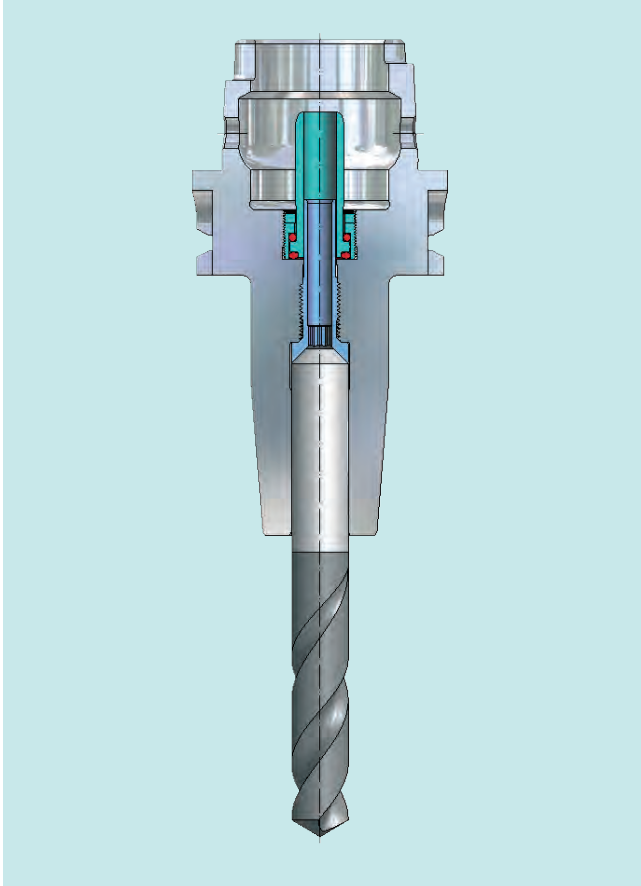


ThermoGrip®

## Shrinking chucks for MQL

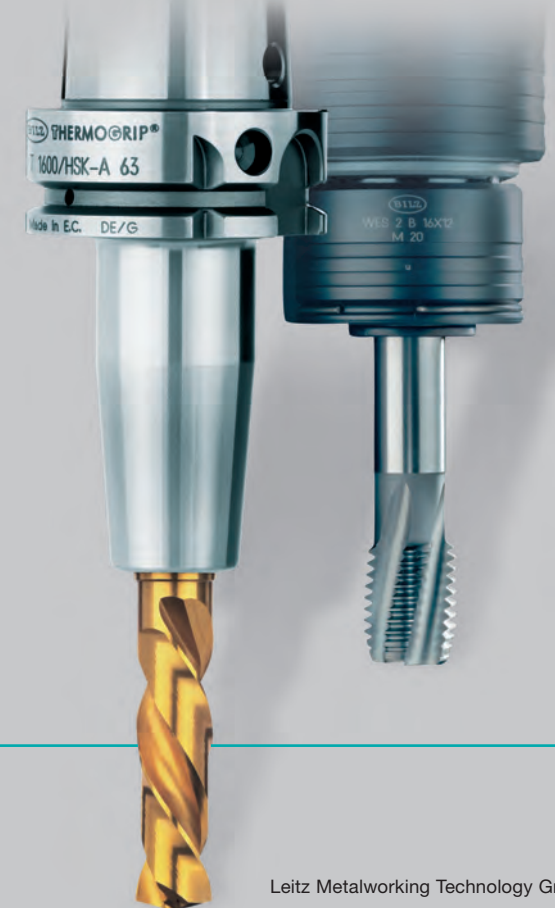
Bilz can also provide MQL-specific solutions for shrinking

- thin-walled stainless steel tubes
- or customer-specific solutions, for example BIELOMATIK



# BILZ

GNCK, WFLC, SCN  
and ThermoGrip®  
for Minimal Quantity Lubrication



## BILZ

Bilz Werkzeugfabrik GmbH & Co. KG  
Vogelsangstr. 8  
DE-73760 Ostfildern  
Tel. +49 (0) 711 3 48 01-0  
Fax +49 (0) 711 3 48 12 56  
E-mail: zentrale@bilz.de  
Internet: www.bilz.de

Leitz Metalworking Technology Group

**BELIN • BILZ • BOEHLERIT •  
FETTE • KIENINGER • ONSRUD**

## High performance tapping attachment GNCK...MQL

The fastest way of tapping also for Minimal Quantity Lubrication



### High economic efficiency

Through continual development, Bilz has been able to increase maintenance intervals considerably, so guaranteeing high economic efficiency.

## Tapping chuck WFLC...MQL

Tapping chucks and adaptors developed specially for MQL

- biggest internal diameter for the aerosol
- optimized adapted connection between tap and MQL sealed interface
- sealed version, protection against swarf
- can be used for taps with internal cone in the square or standard taps



### Flexibility is the key

The quick change adaptors are available in all lengths, with or without safety clutch.

## Synchro chuck SCN...MQL

Clear benefits

- collet with integrated length adjustment
- solid stainless steel tube
- tension/compression  $\pm 0,12$  mm
- maintenance free
- high process reliability

