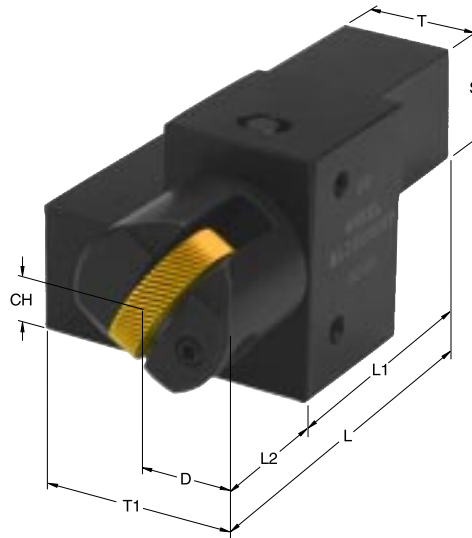


107ST - Straight Cutting Knurling Tool With A Square Shank For CNC

- **Knurl cutting action.**
Minimum stress on the machine, and faster than knurl forming action.
- **Single diagonal M or R series knurl wheel for straight pattern.**
Supplies more rigidity for larger diameters
- **Knurl wheel is mounted between thrust washers.**
Ensures smooth and even rotation of the knurl.
- **Supplied with RDL-25-C or MDL-25-C cobalt knurl wheel-Tin-c coated.**
Adds longer life and better performance to the knurl wheel.
- **Preset center height for CNC.**

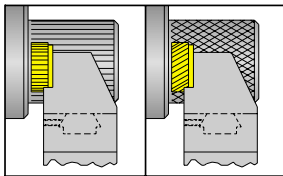


Knurl Wheel
STRAIGHT
PATTERN



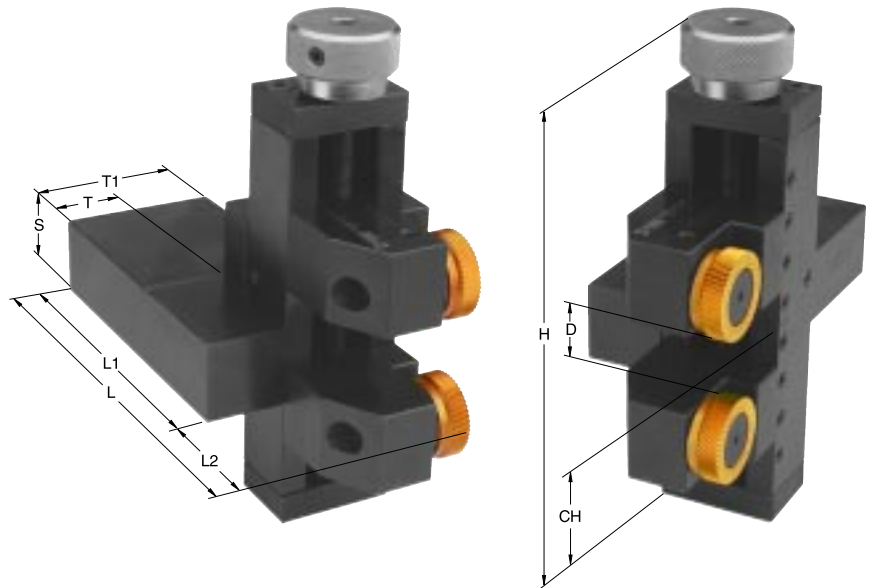
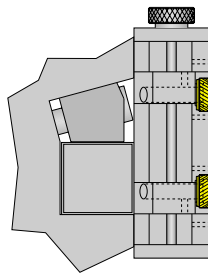
Metric			Inches			Knurl Wheel Style	Knurl Pin Set		CH & S		D	L	L1	L2	T	T1
Description	Part No. 733101-R.H.	L.H.	Description	Part No. 733101-R.H.	L.H.		Description	Part No. 733101-	mm	in						
107ST-12-R	21105	21205	107ST-50-R	21110	21210	RDL*	KPS-25-100-C	28930	12	1/2	1/2	3-7/8	3.0	7/8	1/2	1-1/2
107ST-162-R	21115	21215	107ST-162-R	21115	21215				16	5/8	1/2	3-7/8	3.0	7/8	5/8	1-5/8
107ST-20-M	21125	21225	107ST-75-M	21130	21230				20	3/4	5/8	4-1/2	3-1/4	1-1/4	3/4	2.0
107ST-25-M	21135	21235	107ST-100-M	21140	21240	MDL**	KPS-31-125-C	28950	25	1.0	5/8	5-1/2	4-1/4	1-1/4	1.0	2-1/4
107ST-32-M	21145	21245	107ST-125-M	21150	21250				32	1-1/4	5/8	6.0	4-3/4	1-1/4	1-1/4	2-1/2

* Tool supplied with 1 Diagonal Knurl Wheel 30 TPI. ** Tool supplied with 1 Diagonal Knurl Wheel 25 TPI. See Pages B-25 & B-28 for "M & R" Series Knurl Wheel Price and Part No.



CNC109 - Side Mount Square Shank Holder

- Precision square shank with preset center height is offset to the side of the tool to allow for better indexing clearance.
- Self-Centering knurling head for a precise alignment to the working part.



Knurl Wheel
STRAIGHT DIAMOND
PATTERN



Recommended Use:
For best results, use beveled knurl wheels. In Feed the knurling tool into the blank until the right pattern is generated, then End Feed.

Metric			Inches			Knurl Wheel Style	Knurl Pin Set		CH & S		D	H	L	L1	L2	T	T1
Description	Part No. 733101-R.H.	L.H.	Description	Part No. 733101-R.H.	L.H.		Description	Part No. 733101-	mm	in							
CNC109-20-2-4	21305	21405	CNC109-75-2-4	21310	21410	SW4	SW4,0P-2S	29085	20	3/4	2.0	5-3/4	4-7/8	3-1/4	1-5/8	1.0	2-1/2
CNC109-25-2-4	21315	21415	CNC109-100-2-4	21320	21420				25	1.0	2.0	5-3/4	5-5/8	4.0	1-5/8	1.0	2-1/2
CNC109-32-2-4	21325	21425	CNC109-125-2-4	21330	21430				32	1-1/4	2.0	5-3/4	5-5/8	4.0	1-5/8	1-1/4	2-3/4

Tool supplied with 1 set of Diagonal Knurl Wheels 25 TPI for Diamond Pattern. See Page B-32 for "SW4" Series Knurl Wheel Price and Part No.

For Optional Diagonal Arms for Cutting, See page B-17.